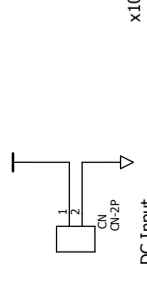
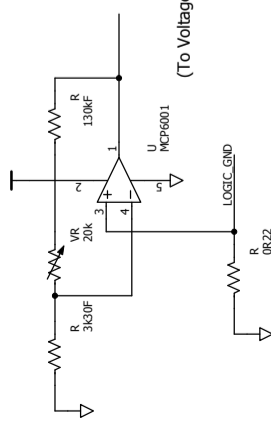


Logic IC Tester v2  
 18/11/07 Eleken  
 rev\_c1815@yahoo.co.jp  
 Note that power pins are not shown!



$x10/22 = 45.6 (5V/0.5A)$

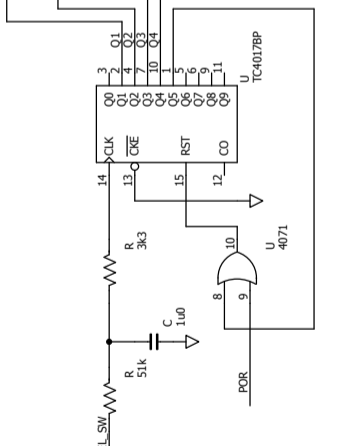


(To Voltage Meter)

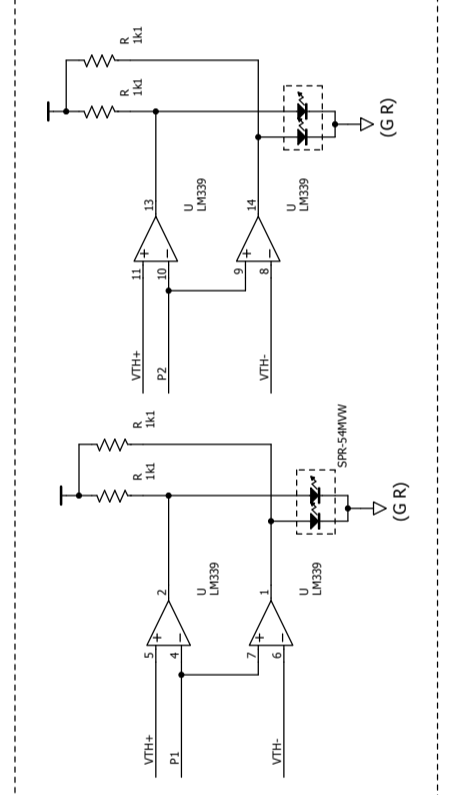
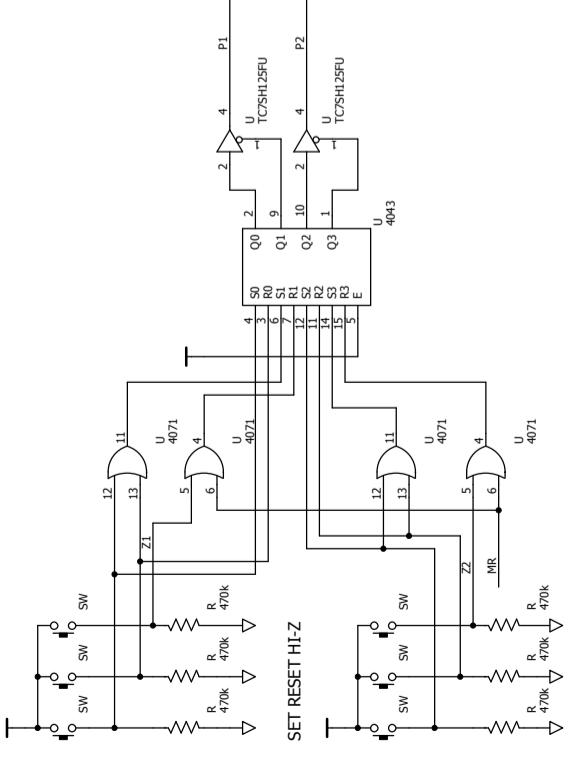
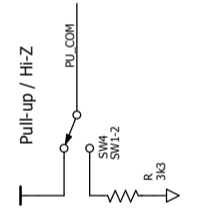
358 can be used for limited full scale range



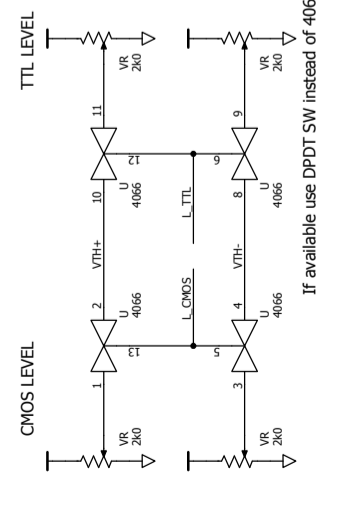
PIN\_SEL SW1



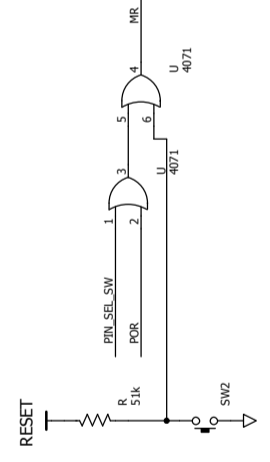
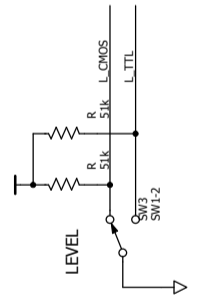
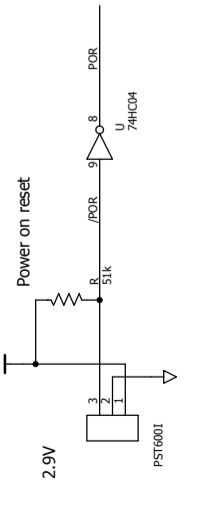
1/5 YLE-PCB-014A



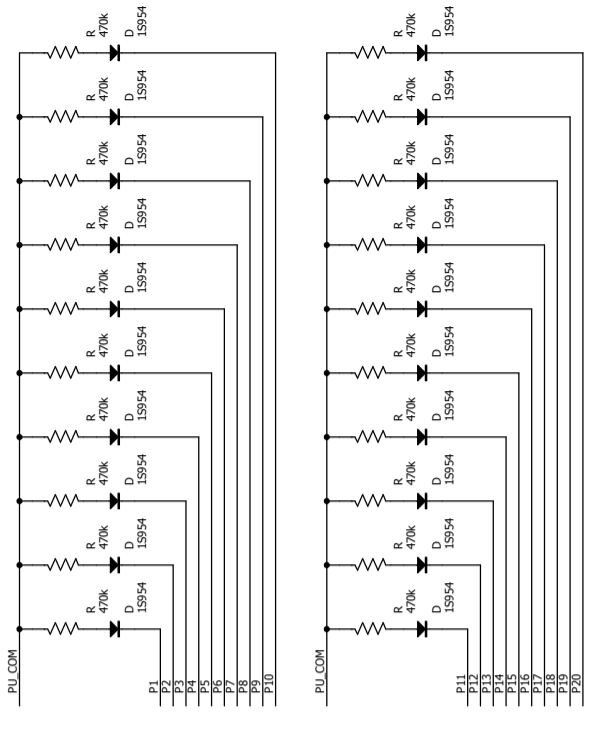
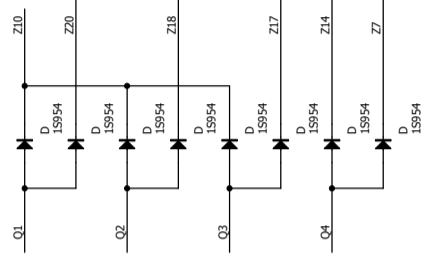
It shows a circuit per 2 pins  
 x10 circuits, for 20 pin tester



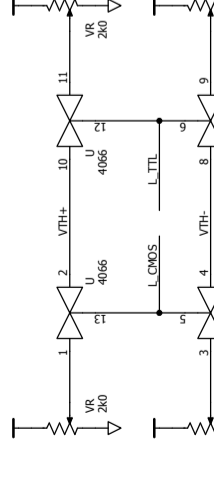
If available use DPDT SW instead of 4066.



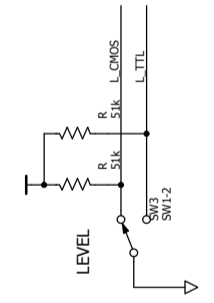
Keep to Hi-Z for power pins



CMOS LEVEL



TTL LEVEL



Power on reset

